



SEPTEMBER 2008 - Please check prices prior to placing orders as due to the volatility of steel prices etc, they are subject to change.

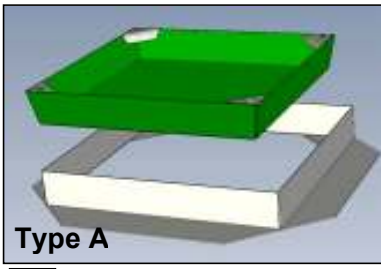
WUNDER-COVERS - PRICE & SPECIFICATION SCHEDULE -

Wholesale Prices for Quantity Breaks excluding GST and Freight

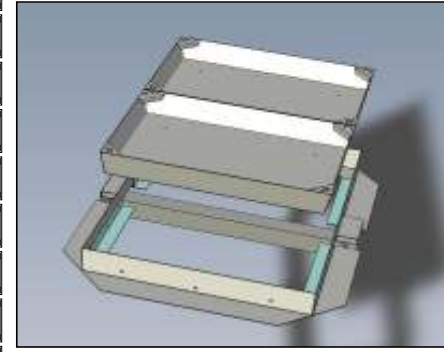
Type	ATS Product Code	Chamber Size (mm) (nominal)	Frame Size (mm) (nominal)	Number of Lids	Lid Size (mm) (nominal)	Number of removable Cross-members	Cross-member Specs	1	5	10	20
A	WC45-45A*	450 x 450	450 x 450	1	450 x 450	0	N/A	273.00	273.00	254.80	245.70
	WC40-60A	400 x 600	400 x 600	1	400 x 600	0	N/A	435.50	289.90	271.70	262.60
	WC60-60A*	600 x 600	600 x 600	1	600 x 600	0	N/A	331.50	331.50	313.30	304.20
	WC60-75A	600 x 750	600 x 750	1	600 x 600	0	N/A	508.30	362.70	344.50	335.40
B	WC60-60B	600 x 600	600 x 600	1	600 x 600	0	N/A	540.80	365.30	343.20	331.50
C	WC60-60C	600 x 600	600 x 600	1	600 x 600	0	N/A	548.60	382.20	361.40	351.00
D	WC40-40D	300 x 300	400 x 400	1	400 x 400	0	N/A	503.10	338.00	317.20	306.80
	WC55-55D	450 x 450	550 x 550	1	550 x 550	0	N/A	564.20	399.10	278.30	367.90
	WC50-70D	400 x 600	500 x 700	1	500 x 700	0	N/A	591.50	426.40	405.60	395.20
	WC70-70D	600 x 600	700 x 700	1	700 x 700	0	N/A	648.70	483.60	462.80	453.70
	WC70-100D	600 x 900	700 x 1000	2	500 x 700	1	75 x 75 x 5	1108.90	847.60	815.10	798.20
	WC70-145D	600 x 1350	700 x 1450	3	482 x 700	2	75 x 75 x 5	1504.10	1244.10	1211.60	1194.70
	WC70-160D	600 x 1500	700 x 1600	3	532 x 700	2	75 x 75 x 5	1543.10	1283.10	1250.60	1233.70
	WC85-130D	750 x 1200	850 x 1300	3	432 x 850	1	75 x 75 x 5	1566.50	1306.50	1274.00	1257.10
	WC85-145D	750 x 1350	850 x 1450	3	482 x 750	2	75 x 75 x 5	1610.70	1349.40	1316.90	1301.30
	WC85-190D	750 x 1800	850 x 1900	4	475 x 850	3 (1 long, 2 short)	75 x 125 x 6	2122.90	1860.30	1826.50	1810.90
WC130-130D	1200 x 1200	1300 x 1300	4	650 x 650	3 (1 long, 2 short)	75 x 125 x 6	2161.90	1868.10	1830.40	1812.20	

* Stock Item

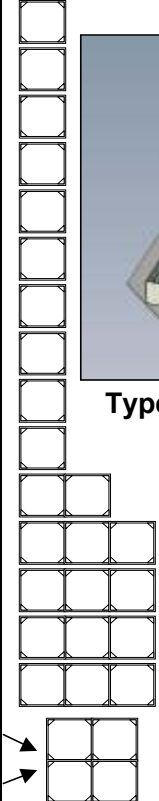
Stainless Steel Wunder-Covers available on request.



Type A



Type D



All Wunder-Covers are 100mm deep unless ordered otherwise and meet AS3996 Class B loading.

- | | |
|-------------|---|
| Type | Description |
| A | Frame and lid with vertical edges |
| B | Lid has rolled over edge to seal and conceal edge of frame. |
| C | Same as a Type A with a 50mm deep ring underneath to fit over 560mm round plastic chamber |
| D | Single and multi-lid units. Frame and lid with vertical edges. Internal supports for lids. Frame 100mm larger than clear opening. |

Class B : 80 kN test load

Safe Working Loads:
Footpaths or footways where it is possible for a vehicle to mount the footway or for light vehicles, or for light vehicles, such as park tractors, to use the facility.